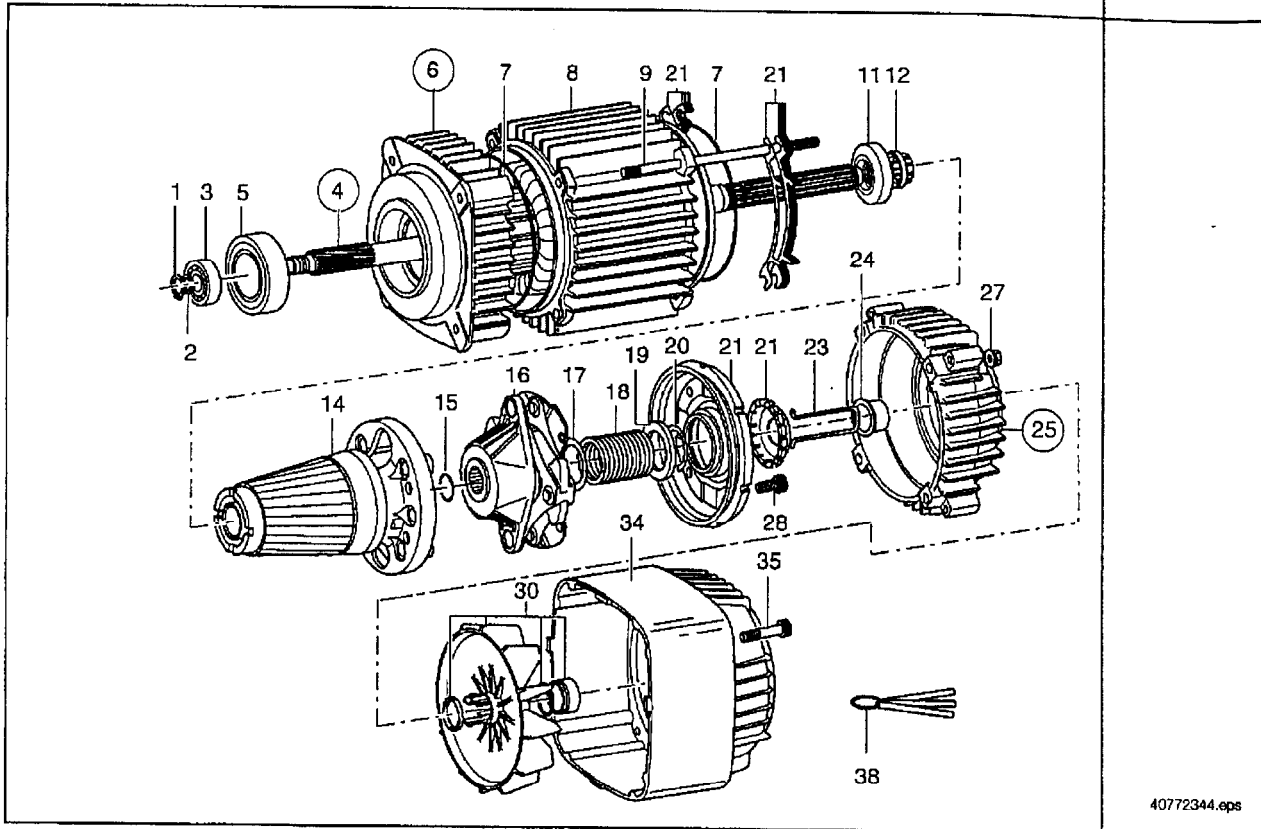


Main hoist motor KMK 71 B2



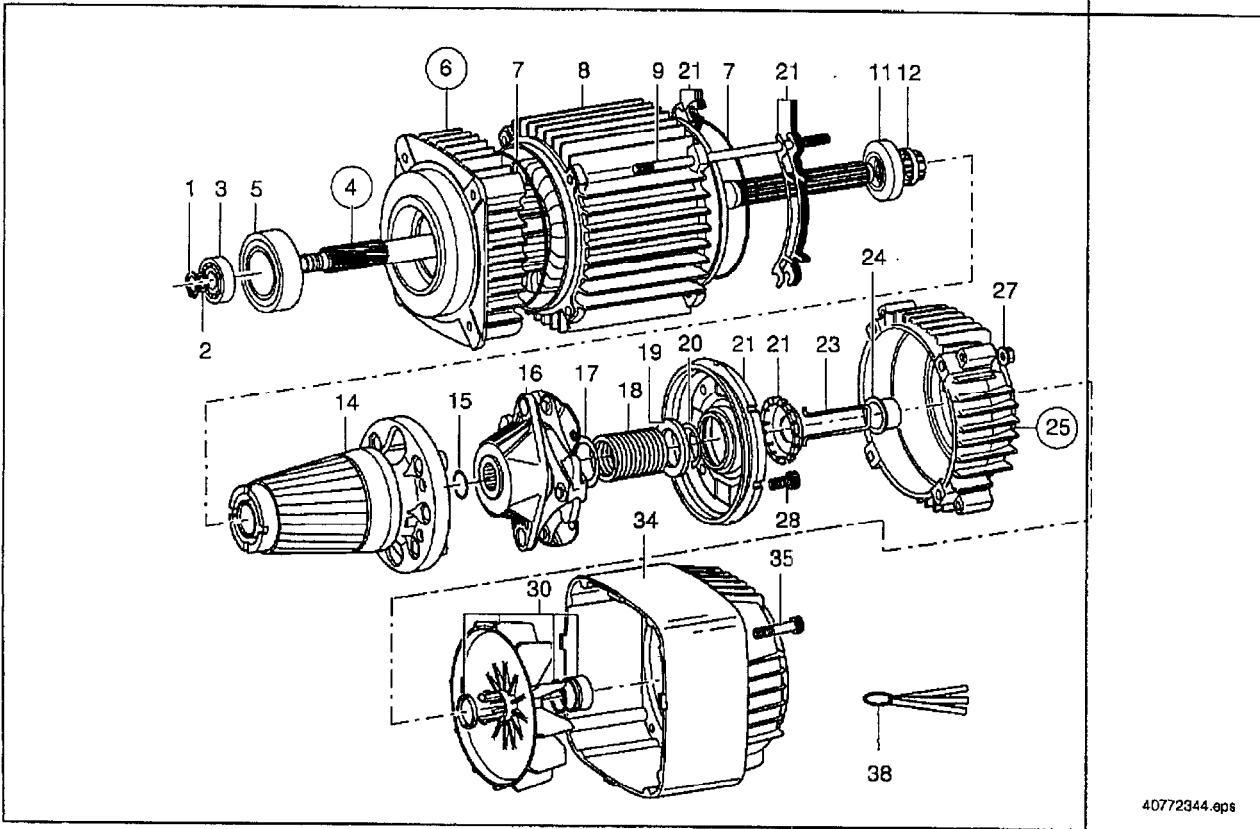
Item no.	Part number	Quantity	Designation	Material	Standard
1	342 501 99	1	RETAINING RING 12X1.5		
2	367 159 99	1	O-RING 8.76X 1.8 N	NBR 70	DIN 471
3	360 551 99	1	GROOVED BALL BEARING 6201		DIN 3771
4	128 357 84	1	SHAFT GEARBOX KMK DK 5		DIN 625
# 5	368 167 99	1	GROOVED BALL BEARING 6007 2RS	C/W ITEMS 2, 11, 15	
# 6	836 308 44	2	INTERMEDIATE FLANGE KM 71B-DK 5	C/W ITEM 5	DIN 625
7	367 202 99	1	O RING 107.67X 1.78 N	NBR 70	DIN 3771
8	126 008 84	1	STATOR 230V60AB	1)	
8	126 009 84	1	STATOR 460V60AB	1)	
8	126 010 84	1	STATOR 575V60AB	1)	
9	302 425 99	4	THREADED PIN M 6 X190	8.8 A2F	DIN 835
11	128 865 84	1	DAMPER RING, ULTRAMIDE		
12	128 852 84	1	THRUST RING KM 71 SET	1)	
14	128 458 84	1	ROTOR	1)	
15	341 904 99	1	RETAINING RING A 16		DIN 7993
16	128 760 84	1	ROTOR COUPLING		
17	341 504 99	1	SHIM 26X 37X0.5	ST2K50	DIN 988
18	128 743 84	1	SPRING 3.2 X 26 X 39 YE	105 N	
19	128 766 84	1	SPRING CUP KM 71		
20	342 524 99	1	RETAINING RING 24X1.2		DIN 471
21	128 895 84	1	BRAKE CUP ASSY+SEGMENTS	KM 71	
23	128 770 84	1	BRAKE RELEASE STIRRUP		
24	128 813 84	1	BEARING BUSHING, MACHINED		
25	128 613 84	1	BRAKE END CAP, CPL.	C/W ITEM 24	
# 27	151 084 99	4	HEX. NUT M 6	8 A2F	DIN 6923
28	320 113 99	4	SOCKET HD. SCREW M 6 X 20	8.8 A2F	DIN 6912
30	128 896 84	1	FAN SET, SPARE PART	KM 71	
34	128 820 84	1	FAN COVER KM 71		
35	320 168 99	4	SOCKET HD. SCREW M 5 X 45	10.9 A2F	DIN 912
# 38	100 409 84	3	FEELER GAUGE SET	1)	

22909101.tbl

1) When ordering a rotor or stator, it is necessary to include a set of thrust rings (item 12) for adjusting the air gap (0.27 mm/0.011 in) using feeler gauge set (item 38).

Main hoist motor KMK 80 B2

Main/creep hoist motor KMK 80 B2/8



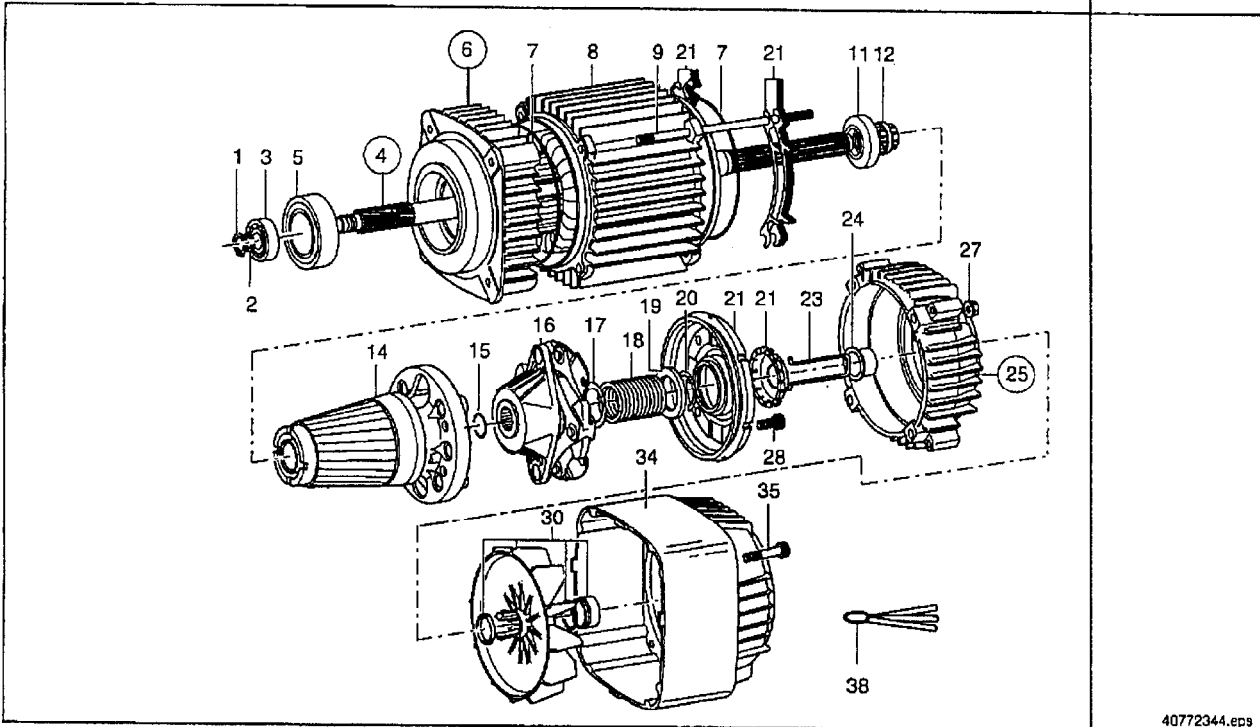
40772344.eps

Item no.	Part number	Quantity	Designation	Material	Standard
	80 B2 80 B2/8				
1	342 501 99	1	RETAINING RING 12X1.5		DIN 471
2	367 159 99	1	O RING 8.76X 1.8 N	NBR 70	DIN 3771
3	360 551 99	1	GROOVED BALL BEARING 6201		DIN 625
4	133 357 84	1	SHAFT GEARBOX KMK DK 5	C/W ITEMS 2, 11, 15	
# 5	368 167 99	1	GROOVED BALL BEARING 6007 2RS		DIN 625
# 6	836 312 44	1	INTERMEDIATE FLANGE KM 80B-DK 5	C/W ITEM 5	
7	367 203 99	2	O RING 120.37X 1.78 N	NBR 70	DIN 3771
# 8	131 036 84	1	STATOR 230V60AB	1)	
# 8	131 037 84	1	STATOR 460V60AB	1)	
# 8	131 054 84	1	STATOR 575V60AB	1)	
8	131 034 84	1	STATOR 230V60AB	1)	KMK 80B2/8
8	131 020 84	1	STATOR 460V60AB	1)	KMK 80B2/8
8	131 032 84	1	STATOR 575V60AB	1)	KMK 80B2/8
9	302 427 99	4	THREADED PIN M 6 X220		DIN 835
11	133 865 84	1	DAMPER RING KM 80		
12	133 852 84	1	THRUST RING KM 80 SET	1)	
14	133 457 84	1	ROTOR	1)	
15	341 906 99	1	RETAINING RING A 20		DIN 7993
16	133 760 84	1	TRANS. ELEMENT KMK 80		
17	341 445 99	1	SHIM 30X 42X0.5		DIN 988
18	133 744 84	1	SPRING 3.2 X 30 X 82 GN	170 N	
18	133 742 84	1	SPRING 2.8 X 30 X 82 RD	92 N	
19	133 766 84	1	SPRING CUP KM 80		
20	342 450 99	1	RETAINING RING 28X2		DIN 471
21	133 895 84	1	BRAKE CUP ASSY+SEGMENTS		
23	133 770 84	1	BRAKE RELEASE STIRRUP KM 80	KM 80	
24	133 813 84	1	BEARING BUSHING, MACHINED		
25	133 613 84	1	BRAKE END CAP, KM 80	C/W ITEM 24	
# 27	151 084 99	4	HEX. NUT M 6	8 A2F	DIN 6923
28	320 113 99	4	SOCKET HD. SCREW M 6 X 20	8.8 A2F	DIN 6912
30	133 896 84	1	FAN SET KM 80	KM 80	
34	133 820 84	1	FAN COVER KM 80		
35	319 221 99	4	SOCKET HD. SCREW M 5 X 50	10.9 A2F	DIN 912
# 38	100 409 84	3	FEELER GAUGE SET	1)	

1) When ordering a rotor or stator, it is necessary to include a set of thrust rings (item 12) for adjusting the air gap (0.27 mm/0.011 in) using feeler gauge set (item 38).

22909102.tlx

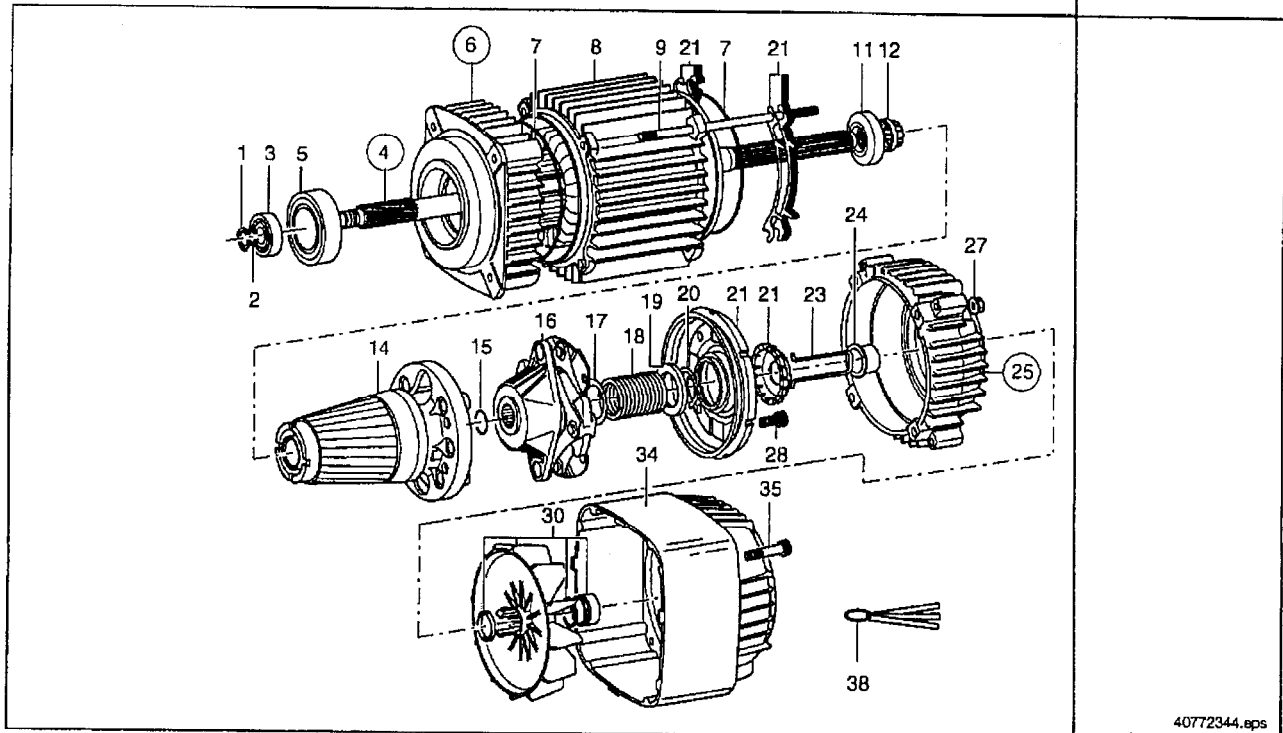
Main/creep hoist motor KMK 90 Z2/8 – KMK 90 B2/8



Item no.	Part number	Quantity	Designation	Material	Standard
	90 Z2/8 90 B2/8				
1	342 501 99	1	RETAINING RING 12X1.5		DIN 471
2	367 159 99	1	O RING 8.76X 1.8 N	NBR 70	DIN 3771
3	360 551 99	1	GROOVED BALL BEARING 6201		DIN 625
4	138 477 84	1	SHAFT DK 5 SERIES	C/W ITEMS 2, 11, 15	
4	138 478 84	1	SHAFT DK 5 SERIES	C/W ITEMS 2, 11, 15	
# 5	368 167 99	1	GROOVED BALL BEARING 6007 2RS		DIN 625
# 6	836 314 44	1	INTERMEDIATE FLANGE KM 90Z-DK 5	C/W ITEM 5	
# 6	836 316 44	1	INTERMEDIATE FLANGE KM 90B-DK 5	C/W ITEM 5	
7	367 190 99	2	O RING 133.07X 1.78 N	NBR 70	DIN 3771
8	136 023 84	1	STATOR 230V60AB	1)	
8	136 016 84	1	STATOR 460V60AB	1)	
8	136 039 84	1	STATOR 575V60AB	1)	
8	136 020 84	1	STATOR 230V60AB	1)	
8	136 021 84	1	STATOR 460V60AB	1)	
8	136 040 84	1	STATOR 575V60AB	1)	
9	302 426 99	4	THREADED PIN M 6 X210	8.8 A2F	DIN 835
9	302 428 99	4	THREADED P'IN M 6 X240	8.8 A2F	DIN 835
11	138 865 84	1	DAMPER RING KM 90		
12	138 852 84	1	THRUST RING KM 90 SET	1)	
14	138 472 84	1	ROTOR KMK 90 SERIES	1)	
14	138 473 84	1	ROTOR KMK 90B 2/12		
15	341 907 99	1	RETAINING RING A 24		DIN 7993
16	138 760 84	1	ROTOR COUPLING KMK 90		
17	341 436 99	1	SHIM 35X 45X0.5	ST2K50	DIN 988
18	138 743 84	1	SPRING 3.2 X 35 X 86 YE	130 N	
18	138 747 84	1	SPRING 3.2 X 35 X101 YE	180 N	
19	138 766 84	1	SPRING CUP KM 90		
20	342 496 99	1	RETAINING RING 32X2		DIN 471
21	138 895 84	1	BRAKE CUP ASSY+SEGMENTS	KM 90	
23	138 770 84	1	BRAKE RELEASE STIRRUP KM 90		
24	138 813 84	1	BEARING BUSHING, MACHINED		
25	138 613 84	1	BRAKE END CAP, KMK 90	C/W ITEM 24	
# 27	151 084 99	4	HEX. NUT M 6	8 A2F	DIN 6923
28	320 114 99	4	SOCKET HD. SCREW M 6 X 25	8.8 A2F	DIN 6912
30	138 896 84	1	FAN SET, SPARE PART	KM 90	
34	138 820 84	1	FAN COVER KM 90		
35	321 516 99	4	SOCKET HD. SCREW M 6 X 60	10.9 A2F	DIN 912
# 38	100 410 84	3	FEELER GAUGE SET	1)	22909103.tbi

1) When ordering a rotor or stator, it is necessary to include a set of thrust rings (item 12) for adjusting the air gap (0.32 mm/0.013 in) using feeler gauge set (item 38).

Main/creep hoist motor KMK 90 B2/12



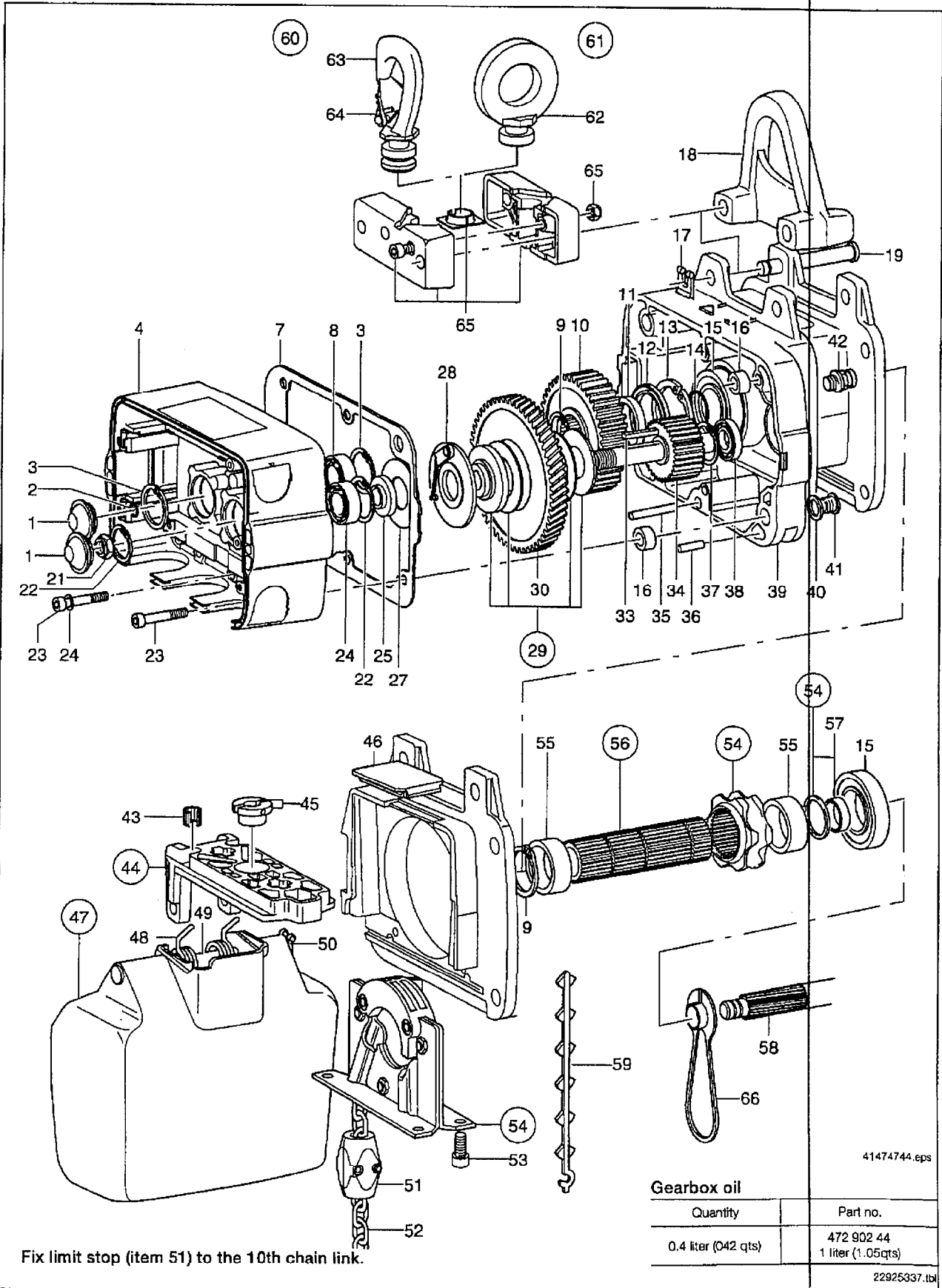
40772344.eps

Item no.	Part number	Quantity	Designation	Material	Standard
1	342 501 99	1	RETAINING RING 12X1.5		DIN 471
2	367 159 99	1	O RING 8.76X 1.8 N	NBR 70	DIN 3771
3	360 551 99	1	GROOVED BALL BEARING 6201		DIN 625
4	138 478 84	1	SHAFT DK 5 SERIES		
# 5	368 167 99	1	GROOVED BALL BEARING 6007 2RS		DIN 625
# 6	836 316 44	1	INTERMEDIATE FLANGE KM 90B-DK 5		
7	367 190 99	2	O RING 133.07X 1.78 N	NBR 70	DIN 3771
8	136 041 84	1	STATOR 230V60AB	1)	
8	136 042 84	1	STATOR 460V60AB	1)	
8	136 043 84	1	STATOR 575V60AB	1)	
9	302 428 99	4	THREADED PIN M 6 X240	8.8 A2F	DIN 835
11	138 865 84	1	THRUST WASHER KM 90		
12	138 852 84	1	THRUST RING KM 90 SET	1)	
14	138 473 84	1	ROTOR KMK 90B 2/12	1)	
15	341 907 99	1	RETAINING RING A 24		DIN 7993
16	138 760 84	1	ROTOR COUPLING KMK 90		
17	341 436 99	1	SHIM 35X 45X0.5	ST2K50	DIN 988
18	138 743 84	1	SPRING 3.2 X 35 X 86 YE	130 N	
19	138 766 84	1	SPRING CUP KM 90		
20	342 495 99	1	RETAINING RING 32X2		DIN 471
21	138 895 84	1	BRAKE CUP ASSY+SEGMENTS	KM 90	
23	138 770 84	1	BRAKE RELEASE STIRRUP KM 90		
24	138 813 84	1	BEARING BUSHING, MACHINED		
25	138 613 84	1	BRAKE END CAP, KMK 90		
# 27	151 084 99	4	HEX. NUT M 6	8 A2F	DIN 6923
28	320 114 99	4	SOCKET HD. SCREW M 6 X 25	8.8 A2F	DIN 6912
30	138 896 84	1	FAN SET, SPARE PART	KM 90	
34	138 820 84	1	FAN COVER KM 90		
35	321 516 99	4	SOCKET HD. SCREW M 6 X 60	10.9 A2F	DIN 912
# 38	100 410 84	3	FEELER GAUGE SET	1)	

22909104.tbl

1) When ordering a rotor or stator, it is necessary to include a set of thrust rings (item 12) for adjusting the air gap (0.32 mm/0.013 in) using feeler gauge set (item 38).

Gearbox



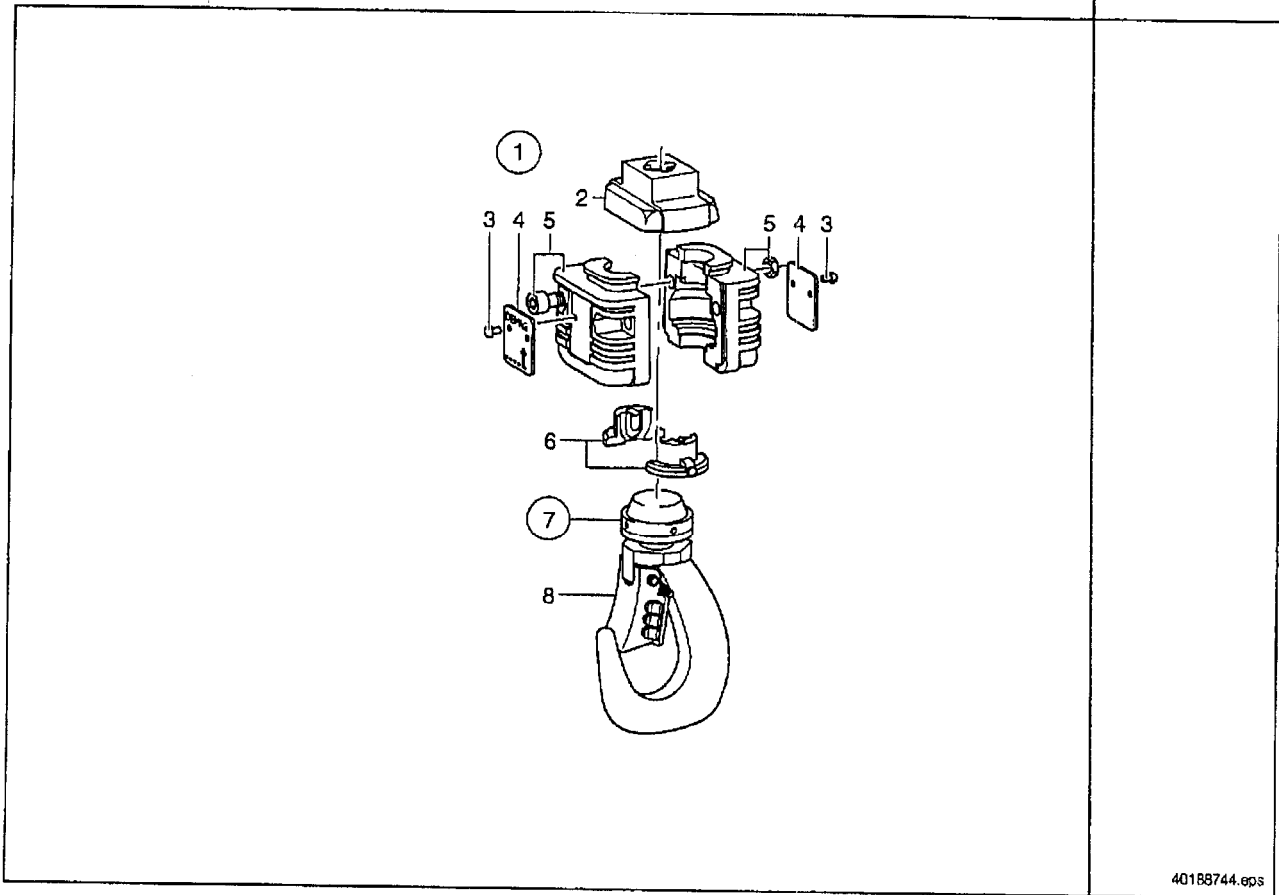
Fix limit stop (item 51) to the 10th chain link.

41474744.eps

Gearbox oil	
Quantity	Part no.
0.4 liter (0.42 qts)	472 902 44
1 liter (1.05 qts)	1 liter (1.05 qts)

22925337.tbl

Hook with fittings, 1/1 reeving

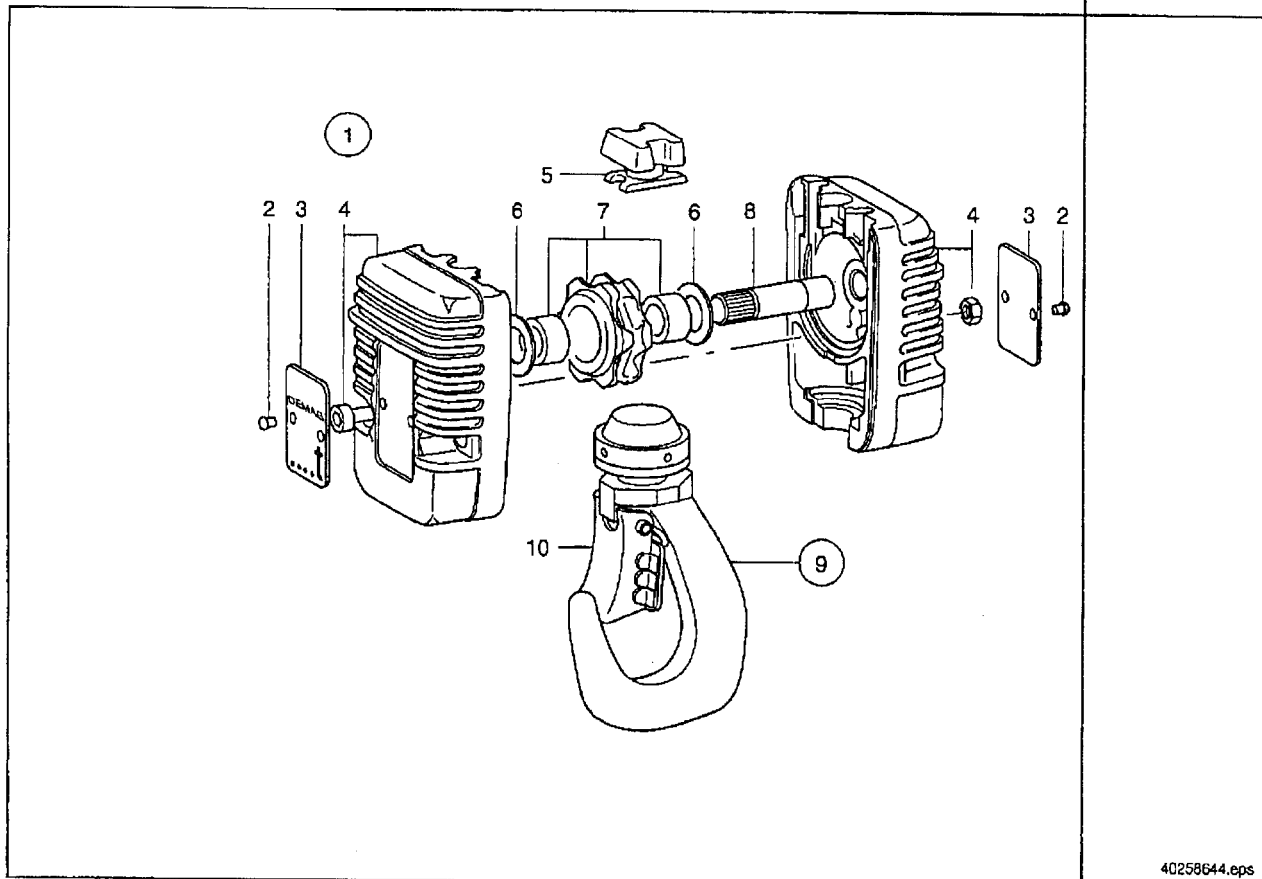


40188744.eps

Item no.	Part number	Quantity	Designation	Material	Standard
1	836 740 44	1	HOOK ASSEMBLY DK 5	C/W ITEMS 2, 5 - 7	
2	836 753 44	1	BUFFER CAP 0.5 T		
3	350 910 99	4	GROOVED PIN 3 X 5	ST A2F	DIN 1476
4		2	SWL PLATE		
5	836 752 44	1	HOOK ASSEMBLY HALVES	DK 5	
# 6	836 178 44	2	CHAIN ANCHOR 5.3X15.2		
7	836 650 44	1	LOAD HOOK 800KG (1760 LBS)	C/W ITEM 8	
8	836 659 44	1	SAFETY CATCH 500		

22909107.tbl

Bottom block, 2/1 reeving



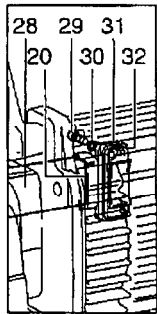
40258644.eps

Item no.	Part number	Quantity	Designation	Material	Standard
1	836 881 44	1	BOTTOM BLOCK DK 5/RUD 1CM	C/W ITEMS 4 - 9	
2	350 910 99	4	GROOVED PIN 3 X 5	ST A2F	DIN 1476
3		2	SWL PLATE		
4	836 852 44	1	BOTTOM BLOCK HALVES DK 5	DK 5	
# 5	836 861 44	1	BUFFER PLUG 1.0 T		
6	820 109 44	2	THRUST WASHER 18 X32X1		
7	836 880 44	1	RETURN SPROCKET 5.3X15.2 Z5	NEEDLE BEARING, z=5	
8	836 858 44	1	RETURN SPROCKET PIN 5X15 GER		
9	837 650 44	1	LOAD HOOK 1250KG (2750 LBS)	C/W ITEM 10	
10	837 659 44	1	SAFETY CATCH 1000		

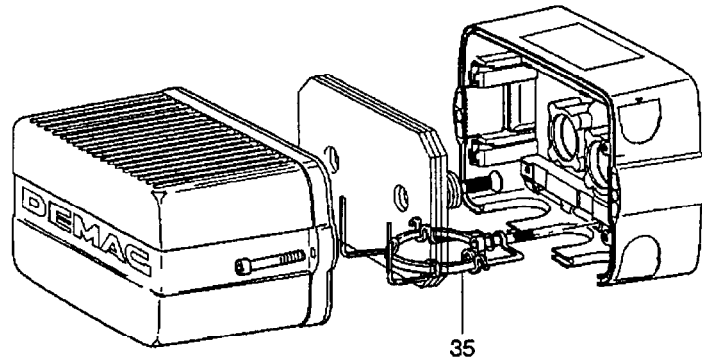
22909108.tbl

Electrical components

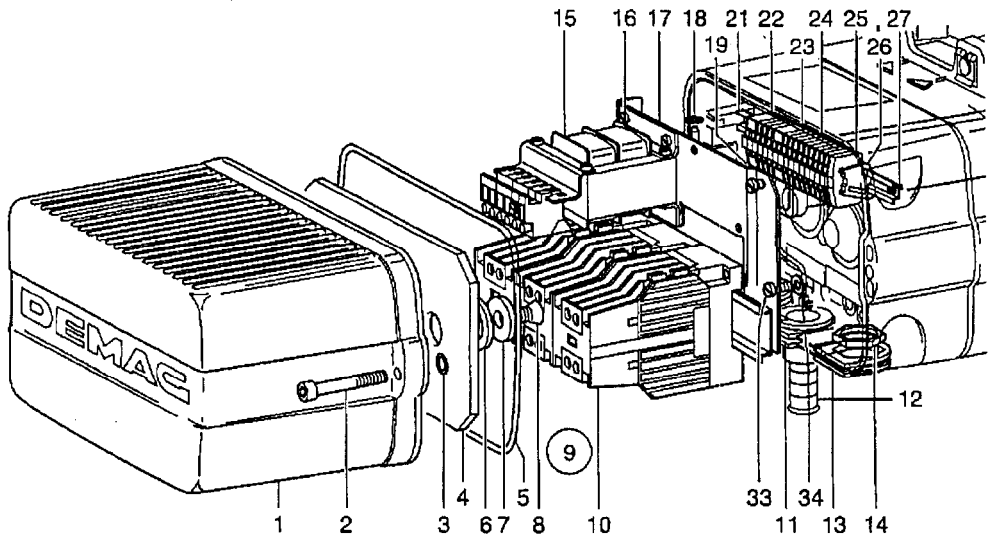
Contactor control



40190144.eps



40466644.eps



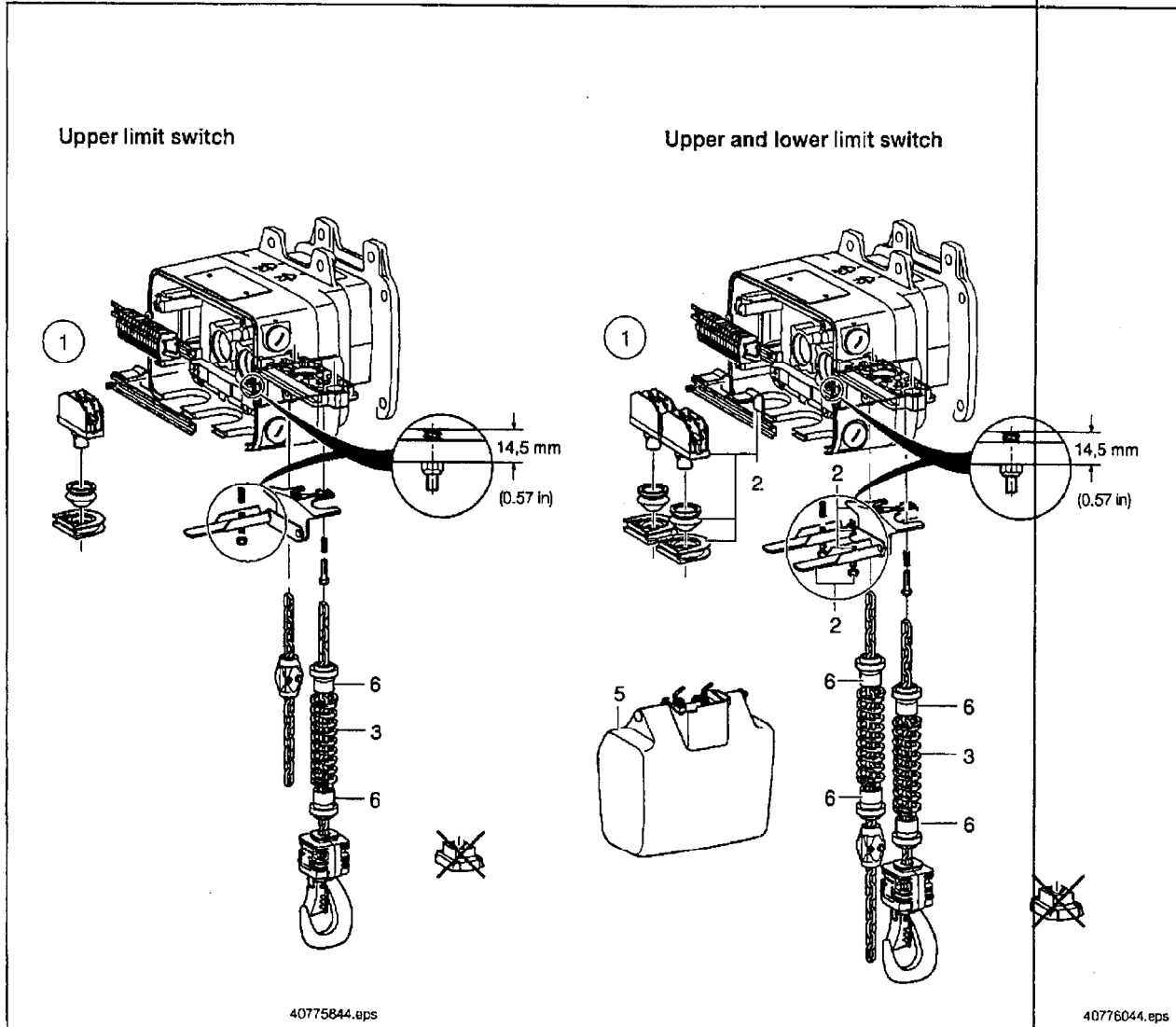
42203544.eps

Arrangement of counterweights

Motor	Number of counterweights (item 4), for contactor control with transformer	Countersunk screw (item 8) DIN 7991 - 8.8A2F/TX	Washer A13 x 24 x 2.5 (item 7) DIN 125 - 140HV A2F	Washer A 17 x 30 x 3 (item 6) DIN 125 - St A2F
	Part no. # 836 127 44	2 off Part no. # 150 719 99 M 8 x 14	2 off Part no. # 340 591 99	2 off Part no. 340 542 99
KMK 80 Z	1	# 150 719 99 M 8 x 14	# 340 591 99	340 542 99
KMK 80 B	2			
KMK 90 B	4	# 150 720 99 M 8 x 25	# 340 591 99	340 542 99
KMK 90 Z	3			

22909135.tbl

Limit switch for the upper and lower hook position, 1/1 reeving



Limit switch for the upper hook position

Item no.	Part number	Quantity	Designation	Material	Standard
1	836 783 44	1	UPPER LIMIT SWITCH SET DK 5		
3	836 287 44	1	COMPRESSION SPRING 3.2X25.0X 94.5		
3	836 288 44	1	COMPRESSION SPRING 3.2X25.0X135.0		
6	836 286 44	2	SWITCH ACT. SLEEVE DK 5		

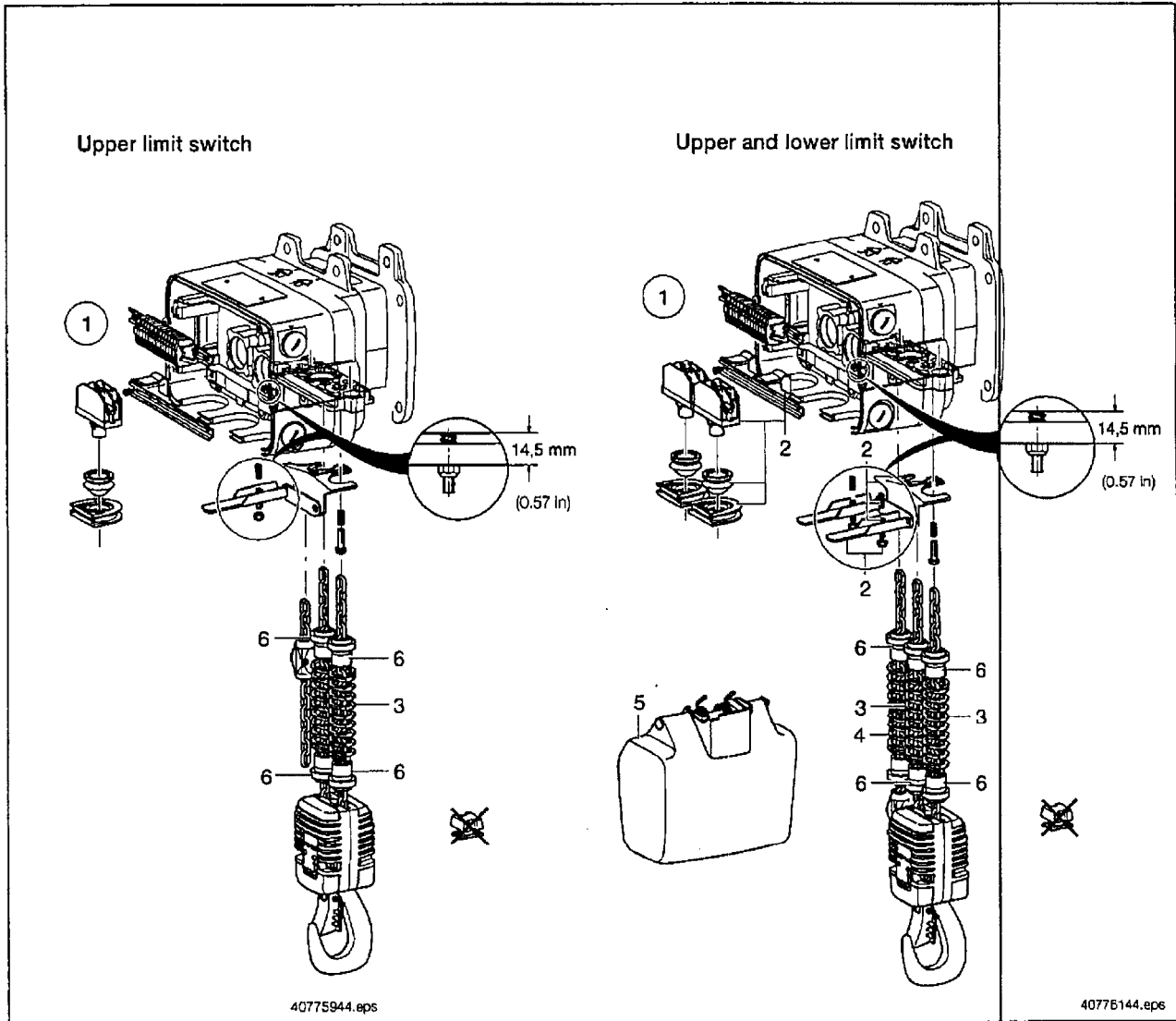
22909111.tbl

Limit switch for the upper and lower hook position

Item no.	Part number	Quantity	Designation	Material	Standard
1	836 783 44	1	LIMIT SWITCH SET DK 5	BASIC SET	
2	836 782 44	1	LIMIT SWITCH SET DK 5	ADDITIONAL SET	
3	836 287 44	2	COMP. SPRING 3.2X25.0X 94.5	UP TO 8m/min (26.4 ft/min)	
3	836 288 44	2	COMP. SPRING 3.2X25.0X135.0	FOR 9 UP TO 15m/min (29.7 to 49.5 ft/min)	
5	836 067 44	1	CHAIN COLL. BOX SIZE 3 DK 2- 5	MAX. CHAIN LENGTH 13 m (42.9 ft)	
6	836 286 44	4	SWITCH ACT. SLEEVE DK 5		

22909112.tbl

Limit switch for the upper and lower hook position, 2/1 reeving



40775944.eps

40775144.eps

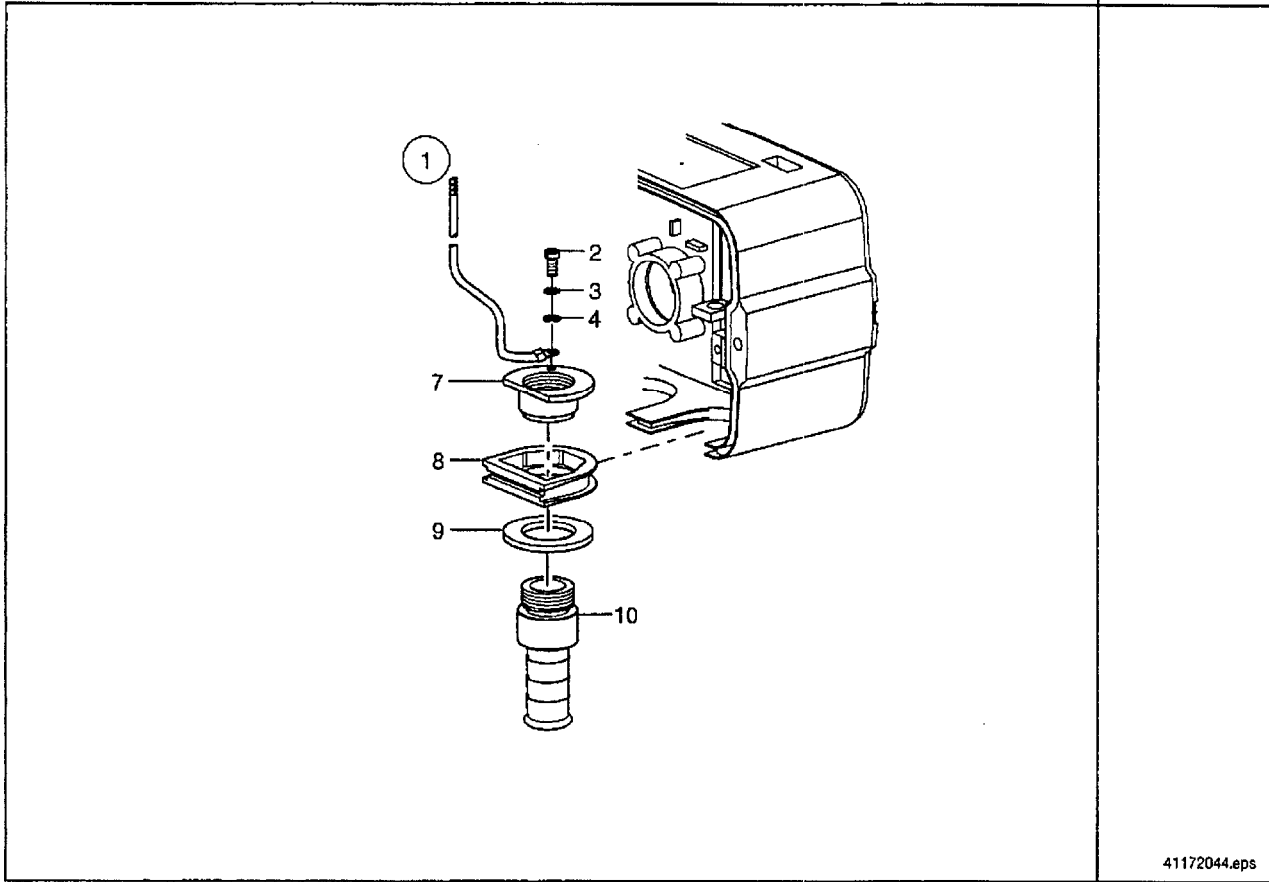
Limit switch for the upper hook position

Item no.	Part number	Quantity	Designation	Material	Standard
1	836 783 44	1	LIMIT SWITCH SET DK 5		
3	836 287 44	2	COMPRESSION SPRING 3.2X25.0X 94.5		
5	836 286 44	4	SWITCH ACT. SLEEVE DK 5		
					22909113.tbl

Limit switch for the upper and lower hook position

Item no.	Part number	Quantity	Designation	Material	Standard
1	836 783 44	1	LIMIT SWITCH SET DK 5	BASIC SET	
2	836 782 44	2	LIMIT SWITCH SET DK 5	ADDITIONAL SET	
3	836 287 44	2	COMPRESSION SPRING 3.2X25.0X 94.5		
4	836 288 44	1	COMPRESSION SPRING 3.2X25.0X 135.0		
5	836 067 44	1	CHAIN COLL. BOX SIZE 3 DK 2- 5	MAX. CHAIN LENGTH 13 m (42.9 ft)	
6	836 286 44	6	SWITCH ACT. SLEEVE DK 5		
					22909114.tbl

Reinforced PG 16 cable sleeve insert



41172044.eps

Item No	Part Number	Quantity	Designation	Material	Standard
# 1	836 530 44	1	PG16 REINF. CABLE INSERT		
# 2	318 136 99	1	PAN SCREW M 4 X 10		
# 3	343 981 99	1	FAN TYPE WASHER A 4.3	4.8 A2F	DIN 84 DIN 6798
# 4	340 403 99	1	WASHER 4.3X 8 X0.5	140HV A2F	DIN 433
# 7	836 531 44	1	BUSHING PG16 28X44X16.5		
# 8	836 052 44	1	PG21 DUMMY INSERT		
# 9	340 341 99	1	WASHER 26 X 44 X 4	100HV A2F	DIN 126
# 10	872 268 44	1	THREADED BUSHING PG16		

22909015.tbl